

PPM 750X

825 ML CARTRIDGE DISPENSER

Epoxy coated steel frame
for efficient dispensing



Epoxy coated aluminum handle
ergonomically design for comfort

Minimum trigger pressure
for effortless use

Model shown: PPM 750X 825 mL

FEATURES

- High quality cast aluminum handle
- Epoxy coated steel frame support
- Sintered alloy catch plate
- Customization possible

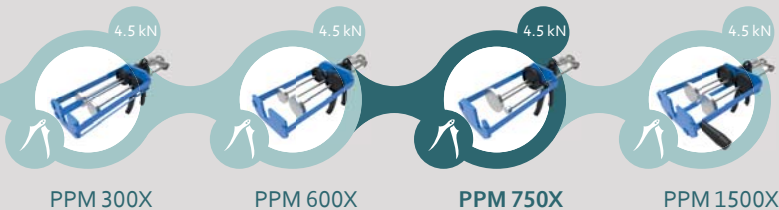
BENEFITS

- For day long comfortable use
- For efficient dispensing
- Wear compensation device (WCD)
- Customer labelling

APPLICATIONS



PRODUCT BY RANGE

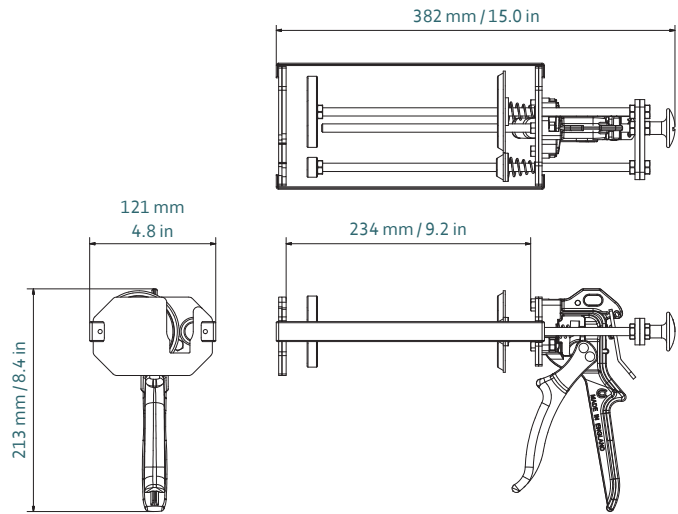


THE PPM 750X 2-COMPONENT MANUAL DISPENSER HAS A HIGH-POWERED 25:1 MECHANISM WITH EPOXY COATED STEEL FRAME OFFERING EFFICIENT EFFORTLESS DISPENSING.

SPECIFICATIONS

- Lightweight: 1.7 kg / 3.7 lbs
- Frame Length: 234 mm / 9.2 in
- Maximum Thrust: 4.5 kN
- Handle Material:
Epoxy Coated Aluminum
- Frame Material: Epoxy Coated Steel
- Tool Component Approvals: REACH
- Cartridge Capacity: 825 mL (29.0 oz)
- Cartridge Ratio: 10:1
- Mechanical Advantage Ratio: 25:1
- Viscosity: High
- Standard Color: Black/Blue
- Customized Versions: Yes

DIMENSIONS



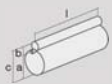
Part number	Article number	Packaging
DM2C 1500-10-r25-001	159305 / M750X/10 (US) 825 mL (10:1)	1 per Box

MATCHING MIXPAC™ SIDE-BY-SIDE CARTRIDGES



J-System Cartridge
825 mL / 10:1 PP/PA

COMPATIBLE SIDE-BY-SIDE CARTRIDGES



Plastic Cartridge
825 mL / 10:1 PP

10:1	mm	inch
l	216.0	8.5
a	Ø 80.7	Ø 3.18
b	Ø 28.6	Ø 1.13
c	109.0	4.29

CONVERSION KITS

MATCHING ACCESSORIES