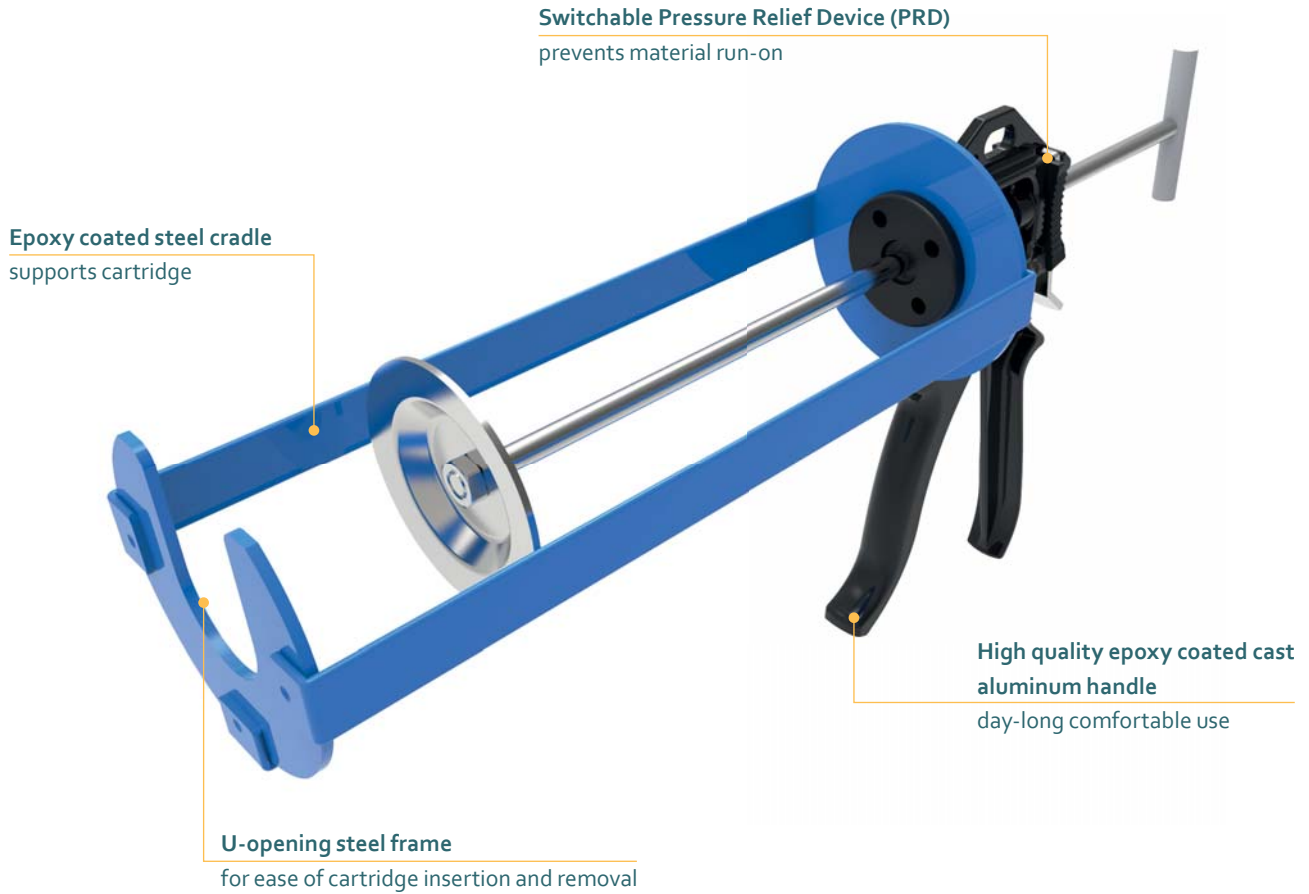


POWERFLOW™ 1000S

1000 ML CARTRIDGE DISPENSER



Model shown: PowerFlow Cartridge 1000S 1000 mL

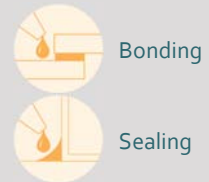
FEATURES

- High quality epoxy coated cast aluminum handle
- U-opening steel frame
- Rotating steel frame
- Switchable Pressure Relief Device (PRD)

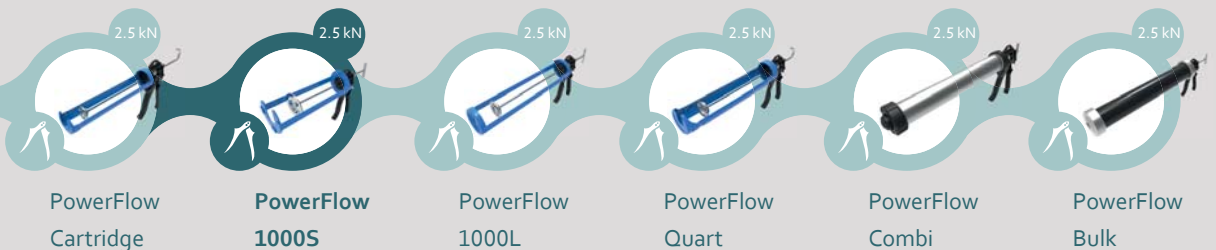
BENEFITS

- Powerful and highly durable
- Ease of cartridge insertion and removal
- Allows continuous bead around corners
- Prevents material run-on

APPLICATIONS



PRODUCT BY RANGE



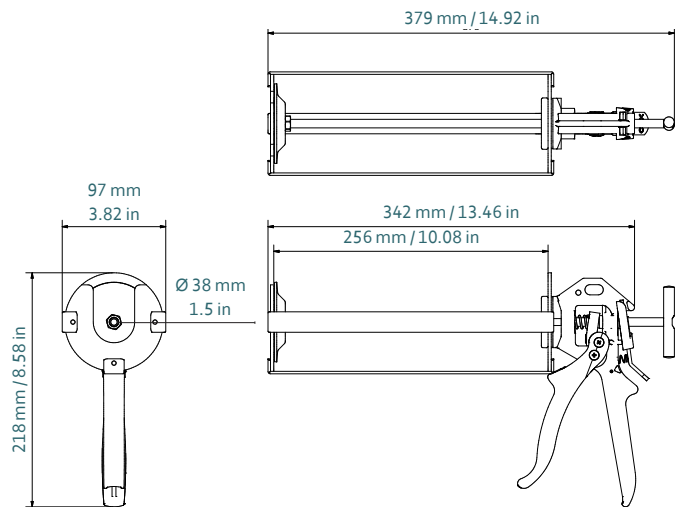
THE POWERFLOW 1000S 1-COMPONENT MANUAL DISPENSERS

U-OPENING STEEL FRAME ALLOWS FOR EASY INSERTION AND REMOVAL OF CARTRIDGES WHILE THE SWITCHABLE PRESSURE RELIEF DEVICE (PRD) PREVENTS MATERIAL RUN-ON.

SPECIFICATIONS

- Weight: 1.12 kg / 2.46 lbs
- Frame Length: 256 mm / 10.08 in
- Maximum Thrust: 2.5 kN
- Pressure Relief Device (PRD)
- Handle Material: Epoxy Coated Aluminum
- Frame Material: Epoxy Coated Steel
- Tool Component Approvals: REACH
- Cartridge Capacity: 1000 mL (33.8 oz)
- Mechanical Advantage Ratio: (12:1)
- Standard Color: Blue/Black
- Nozzle Dimension: \varnothing 38 mm / 1.5 in
- Customized versions on demand

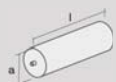
DIMENSIONS



Product	Article number	Packaging
DM1C1000-ca-r12-001	177298	1 per Box

MATCHING MIXPAC™ CARTRIDGES

COMPATIBLE CARTRIDGES



Plastic Cartridge
1000 mL HPDE

	mm	inch
l	211.5	8.3
a	\varnothing 88.4	\varnothing 3.4

CONVERSION KITS

MATCHING ACCESSORIES