

JETFLOW™ 3 SACHET

310–600 ML SACHET DISPENSER



Aluminum barrel
lightweight and long life

Innovative front cap design
allows for quick change between
bead and spray functions

Variable speed regulator
for precise control
and smooth material flow

Glass reinforced nylon handle
ergonomically designed for comfort

Regulators

Standard: 6.8 bar (100 psi)

Options available:

3.4 bar (50 psi)

5.2 bar (75 psi)

8.5 bar (125 psi)



Model shown: JetFlow 3 Sachet 600 mL

FEATURES

- Glass reinforced nylon handle
- Variable speed regulator
- Fitted as standard with a 6.8 bar (100 psi) regulator
- Front cap selector to change function
- Floating plunger mechanism
- Built-in silencer (less than 70 dB)

BENEFITS

- Ergonomically designed for comfort
- For precise control, smooth material flow
- Other options available
- Easily adjust between bead and spray with just one twist
- Minimizes waste of material
- Lowers the noise level

APPLICATIONS

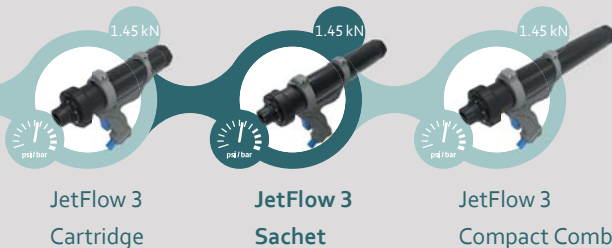


Bonding



Sealing

PRODUCT BY RANGE



JetFlow 3
Cartridge

JetFlow 3
Sachet

JetFlow 3
Compact Combi

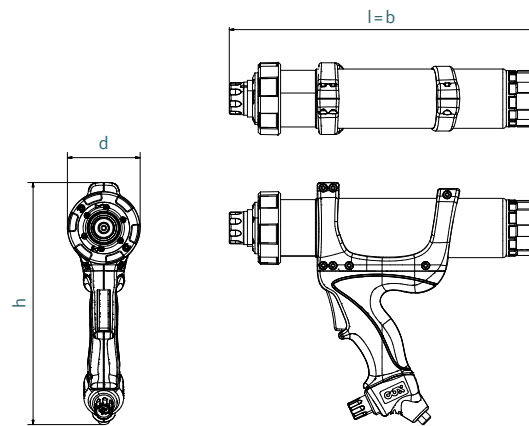
THE JETFLOW 3 SACHET 1-COMPONENT PNEUMATIC DISPENSER DESIGNED FOR USE WITH LOW TO MEDIUM VISCOSITY SEALANTS AND ADHESIVES, WITH BUILT-IN SILENCER – LESS THAN 70 DB.

SPECIFICATIONS

- Weight: 1.24–1.47 kg / 2.7–3.2 lbs
- Barrel Length: 347–445 mm / 13.7–17.5 in
- Maximum Thrust: 1.45 kN
- Maximum Pneumatic Pressure: 6.8 bar (100 psi)
- Handle Material: Glass Filled Nylon
- Barrel Material: Anodized Aluminum
- Sachet Capacity: 310 mL (10.5 oz), 400 mL (13.5 oz), 600 mL (20.3 oz)
- Standard Color: Black/Grey
- Customized versions on demand

DIMENSIONS (MM/IN)

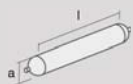
product	height (h)	length (l)	depth (d)	barrel (b)
Sachet 310	276 / 10.6	347 / 13.7	83 / 3.3	347 / 13.7
Sachet 600	276 / 10.6	445 / 17.5	83 / 3.3	445 / 17.5



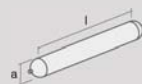
Product	Article number	Packaging
DP1C 310-sa-145-901	181341 (63007-300S for US)	1 per Box
DP1C 600-sa-145-901	159355 (63007-600S for US)	1 per Box

MATCHING MIXPAC™ CARTRIDGES

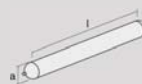
COMPATIBLE CARTRIDGES



Sachet
310 mL



Sachet
400 mL



Sachet
600 mL

	mm	inch
l	220.0	8.66
a	Ø 50.5	Ø 1.97

	mm	inch
l	258.0	10.16
a	Ø 50.0	Ø 1.97

	mm	inch
l	335.0	13.2
a	Ø 50.0	Ø 2.0

CONVERSION KITS

MATCHING ACCESSORIES

Spray nozzles – 3 variants on pages 98–102.