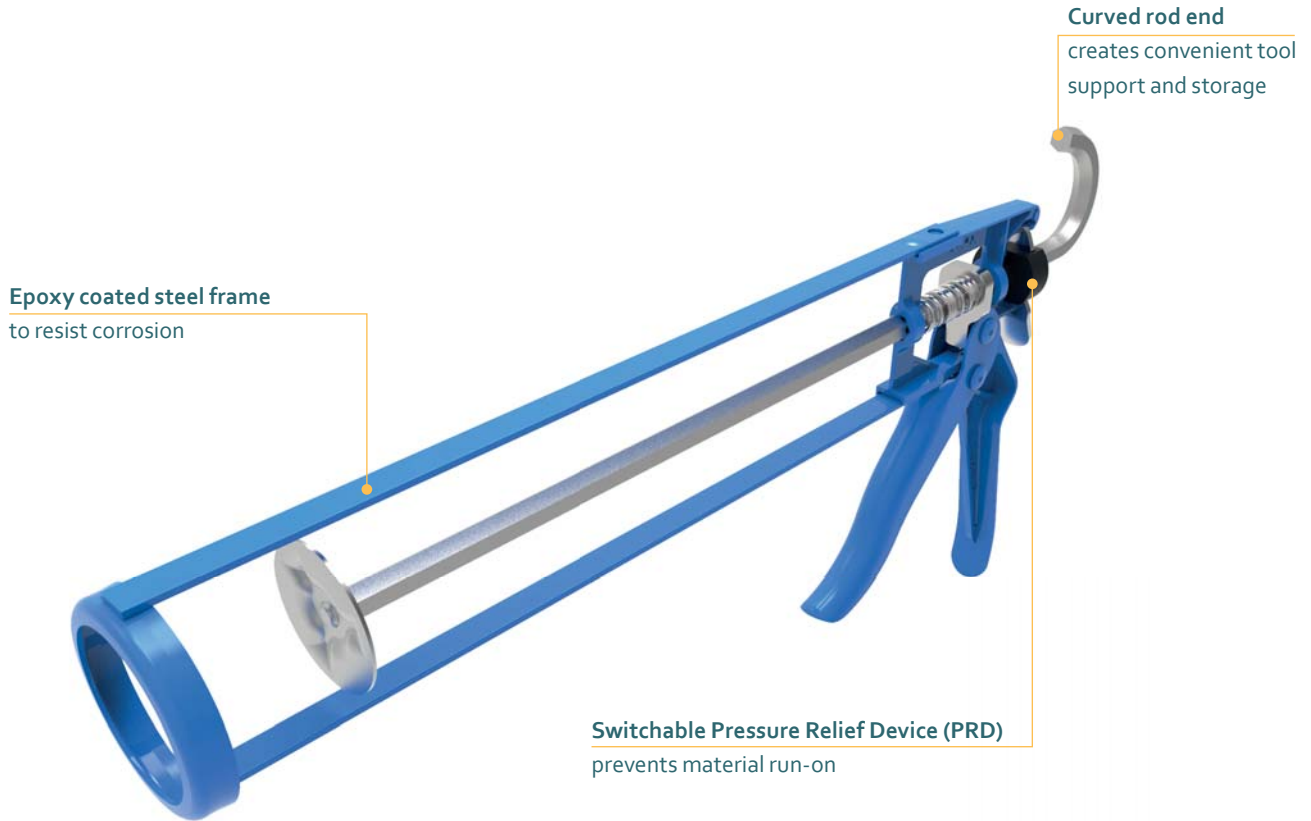


EASIFLOW™ HD

310/400 ML CARTRIDGE DISPENSER



Model shown: EasiFlow HD 400 mL

FEATURES

- Built-in Pressure Relief Device (PRD)
- Epoxy coated steel handle and frame
- Curved rod end
- Spike (US only)

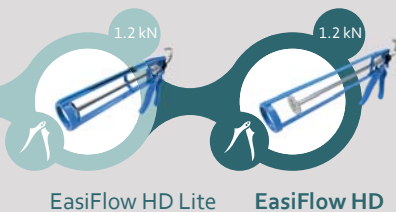
BENEFITS

- Stops material flow when trigger is released
- Lightweight and highly durable
- For convenient tool support and storage
- For piercing barrier in cartridges

APPLICATIONS



PRODUCT BY RANGE



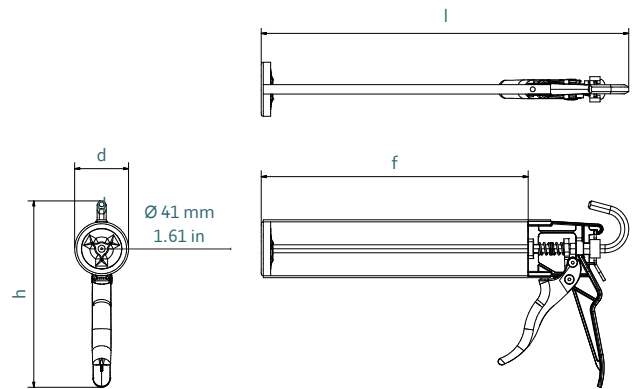
THE EASIFLOW HD 1-COMPONENT MANUAL DISPENSER IS DESIGNED FOR USE WITH LOW VISCOSITY SEALANTS AND ADHESIVES WHILE THE PRESSURE RELIEF DEVICE (PRD) PREVENTS RUN-ON.

SPECIFICATIONS

- Weight: 0.51–0.54 kg / 1.1–1.2 lbs
- Frame Length: 231–268 mm / 9.1–10.5 in
- Maximum Thrust: 1.2 kN
- Pressure Relief Device (PRD)
- Handle Material: Epoxy Coated Steel
- Frame Material: Epoxy Coated Steel
- Cartridge Capacity: 310 mL (10.5 oz), 400 mL (13.5 oz)
- Mechanical Advantage Ratio: (7:1)
- Standard Color: Blue
- Nozzle Dimension: Ø 41 mm / 1.61 in
- Customized versions on demand

DIMENSIONS (MM/IN)

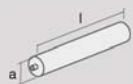
product	height (h)	length (l)	depth (d)	frame (f)
HD 310	187/8.4	328/13.3	54/2.3	231/9.1
HD 400	187/8.4	368/14.7	54/2.3	268/10.5



Product	Article number	Packaging
DM1C 310-ca-r7-001	177078 (41001 for US)	25 per Box (12 per Box for US)
DM1C 400-ca-r7-001	177094	25 per Box

MATCHING MIXPAC™ CARTRIDGES

COMPATIBLE CARTRIDGES



Plastic Cartridge
310 mL HPDE/PP/PA

	mm	inch
l	216.0	8.5
a	Ø 48.2	Ø 1.8



Plastic Cartridge
400 mL HPDE/PA

	mm	inch
l	256.0	10.0
a	Ø 49.0	Ø 1.9

CONVERSION KITS

MATCHING ACCESSORIES

Nozzle extension / Twisty nozzle on pages 98–102.