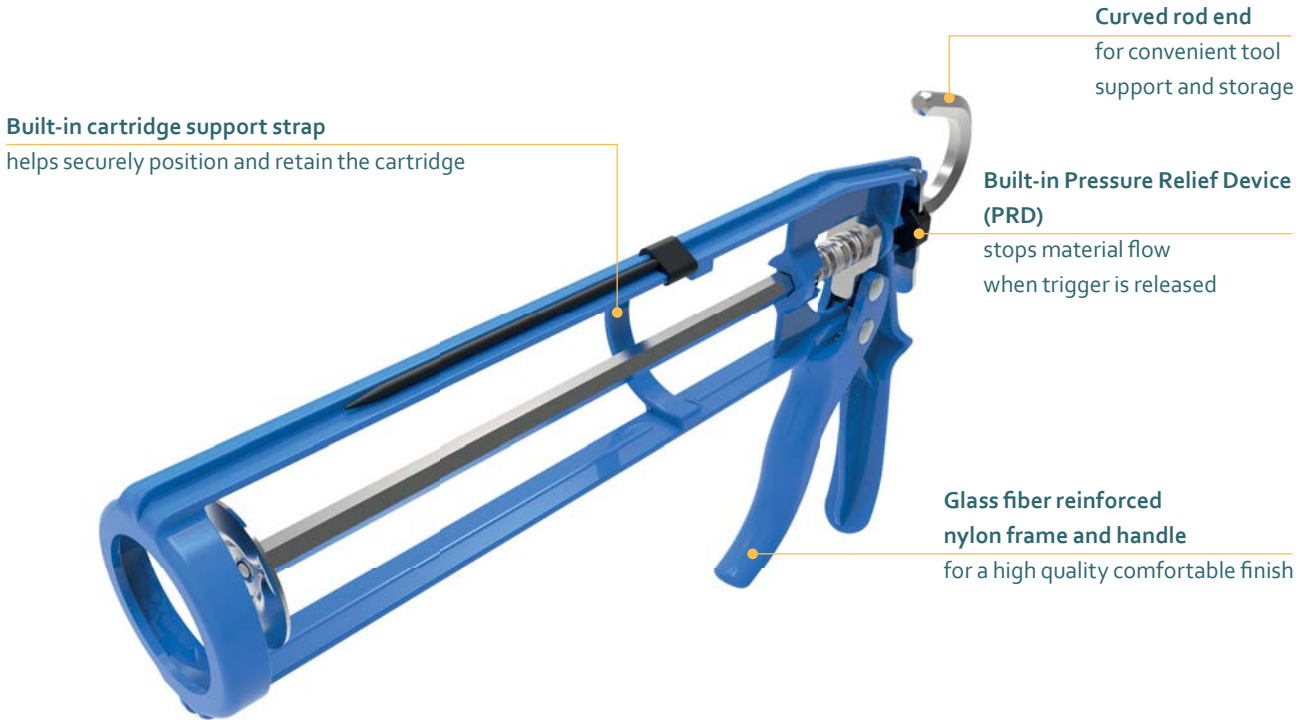


EASIFLOW™ HD LITE

310 ML CARTRIDGE DISPENSER



Model shown: EasiFlow HD Lite 310 mL

FEATURES

- Built-in Pressure Relief Device (PRD)
- Glass fiber reinforced nylon frame and handle
- Built in cartridge support strap
- Curved rod end
- Spike (US only)

BENEFITS

- Stops material flow when trigger is released
- Lightweight and highly durable
- Helps securely position and retain the cartridge
- For convenient tool support and storage
- For piercing barrier in cartridges

APPLICATIONS



PRODUCT BY RANGE



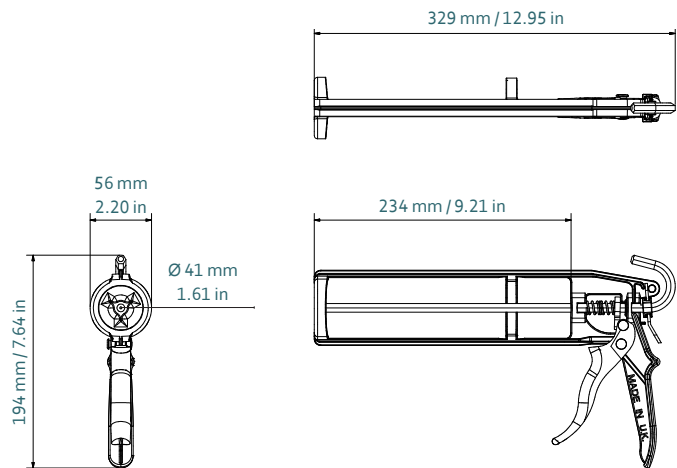
EasiFlow HD Lite EasiFlow HD

THE EASIFLOW HD LITE 1-COMPONENT MANUAL DISPENSER IS A LIGHTWEIGHT HIGHLY DURABLE DISPENSER WITH BUILT-IN PRESSURE RELIEF DEVICE WHICH STOPS MATERIAL FLOW ONCE TRIGGER IS RELEASED.

SPECIFICATIONS

- Weight: 0.32 kg / 0.71 lbs
- Frame Length: 234 mm / 9.21 in
- Maximum Thrust: 1.2 kN
- Pressure Relief Device (PRD)
- Handle Material:
Glass Fiber Reinforced Nylon
- Frame Material:
Glass Fiber Reinforced Nylon
- Cartridge Capacity: 310 mL (10.5 oz)
- Mechanical Advantage Ratio: (7:1)
- Standard Color: Blue
- Nozzle Dimension: Ø 41 mm / 1.61 in
- Customized versions on demand

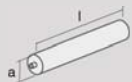
DIMENSIONS



| Product | Article number | Packaging |
|--------------------|-----------------------|--------------------------------------|
| DM1C 310-ca-r7-201 | 177933 (21001 for US) | 25 units per Box (12 per Box for US) |

MATCHING MIXPAC™ CARTRIDGES

COMPATIBLE CARTRIDGES



Plastic Cartridge
310 mL HPDE/PP/PA

| | mm | inch |
|---|--------|-------|
| l | 216.0 | 8.5 |
| a | Ø 48.2 | Ø 1.8 |

CONVERSION KITS

—

MATCHING ACCESSORIES

Nozzle extension / Twisty nozzle on pages 98–102.