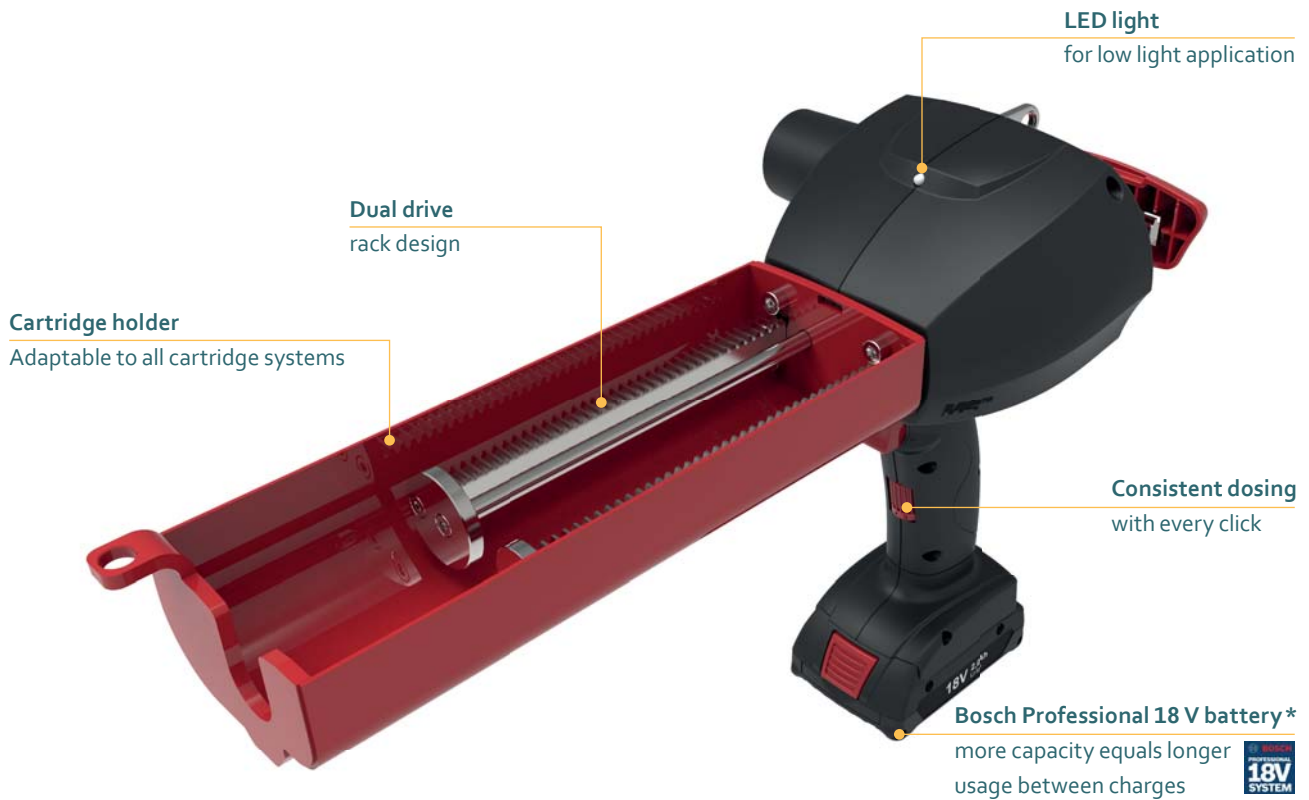


B944 K

365/385/585 ML CARTRIDGE DISPENSER



Model shown: B944 K 585 mL

FEATURES

- Unique memory function
- Dual drive rack design
- Anti-drip function
- 18 V Li-ion high performance battery
- U-opening with cartridge snap fit
- Customization possible

BENEFITS

- Consistent dosing with every click
- Reproduces quality of each adhesive
- Clean and efficient working
- Charge time: 65 min (100%)
- For easy insertion and removal of cartridges
- Customer labelling

APPLICATIONS



PRODUCT BY RANGE



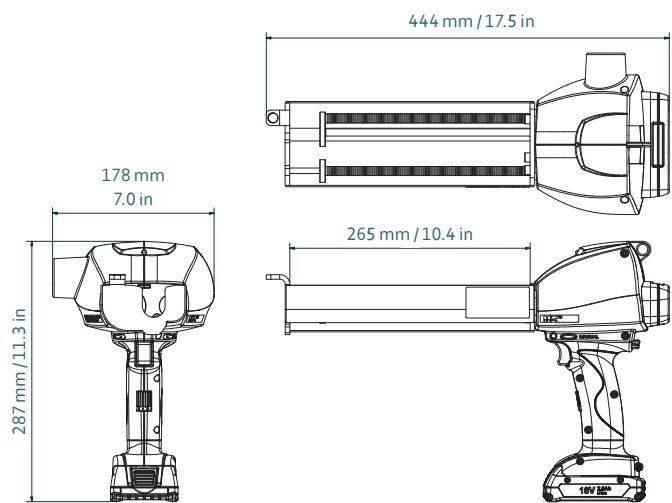
B944 K

THE B944 K 2-COMPONENT BATTERY DISPENSER IS DESIGNED FOR USE WITH LOW TO MEDIUM VISCOSITY SEALANTS AND ADHESIVES, WHILE THE THE BOSCH PROFESSIONAL 18 V RE-CHARGEABLE BATTERY OFFERS LONGER USAGE BETWEEN CHARGES.

SPECIFICATIONS

- Weight: 3.5 kg / 7.7 lbs
- Cartridge Holder Length: 265 mm / 10.4 in
- Maximum Thrust: 2.7 kN (5 mm/s)
- Voltage: 18 V
- Battery Capacity: 2.0 Ah
- Battery Charge Time: 65 min (100%)
- Battery Type: Li-ion
- Handle Material: Reinforced Nylon
- Cartridge Holder Material: Steel
- Cartridge Capacity: 365 mL (12.3 oz), 385 mL (13.5 oz), 585 mL (20.6 oz)
- Cartridge Ratio: 3:1
- Viscosity: Low/Medium
- Standard Color: Black/Red
- Customized versions on demand

DIMENSIONS



Part number	Article number	Packaging
DB2K 585-03-270-001	154476	1 per Box

MATCHING MIXPAC™ SIDE-BY-SIDE CARTRIDGES

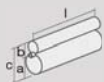


J-System
365 mL / 3:1 PP

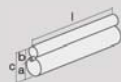


ecopaCC Cartridge
600 mL / 3:1

COMPATIBLE SIDE-BY-SIDE CARTRIDGES



Plastic Cartridge
385 mL / 3:1 PP/PA



Plastic Cartridge
585 mL / 3:1 PP/PA

3:1	mm	inch
l	171.0	6.73
a	Ø 54.4	Ø 2.14
b	Ø 32.6	Ø 1.28
c	90.0	3.54

3:1	mm	inch
l	244.0	9.6
a	Ø 54.4	Ø 2.14
b	Ø 32.6	Ø 1.28
c	90.0	3.54

CONVERSION KITS

—

MATCHING ACCESSORIES

Batteries and chargers on pages 90.