

# AIRFLOW™ 2 CARTRIDGE

## 310/400 ML CARTRIDGE DISPENSER



Model shown: AirFlow 2 Cartridge 310 mL

### FEATURES

- Glass filled nylon handle
- Variable speed regulator
- Anodized aluminum barrel
- 6.8 bar (100 psi) regulator
- Direct acting mechanism
- Swivel hose

### BENEFITS

- Ergonomically designed for comfort
- For precise control, smooth material flow
- Lightweight and long life
- Fitted as standard – others are available
- Air pressure applied direct to plunger
- For easy connection

### APPLICATIONS



### PRODUCT BY RANGE



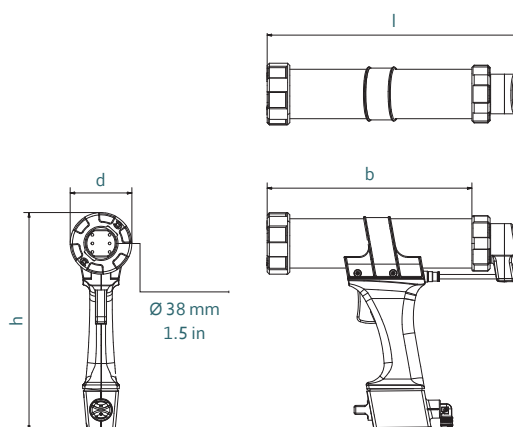
# THE AIRFLOW 2 CARTRIDGE 1-COMPONENT PNEUMATIC DISPENSER COMES WITH A GLASS FILLED NYLON HANDLE FOR ADDED COMFORT. THE VARIABLE SPEED REGULATOR MINIMIZES FLOW-ON GIVING YOU SMOOTH MATERIAL FLOW FOR ALL YOUR APPLICATIONS.

## SPECIFICATIONS

- Weight: 0.73–0.81 kg / 1.6–1.7 lbs
- Frame Length: 228–267 mm / 9.0–10.5 in
- Maximum Thrust: 1.2 kN
- Maximum Pneumatic Pressure: 6.8 bar (100 psi)
- Handle Material: Glass Filled Nylon
- Barrel Material: Anodized Aluminum
- Cartridge Capacity: 310 mL (10.5 oz), 400 mL (13.5 oz)
- Standard Color: Black/Grey
- Nozzle Dimension: Ø 38 mm / 1.5 in
- Customized versions on demand

## DIMENSIONS (MM/IN)

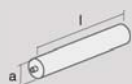
product	height (h)	length (l)	depth (d)	barrel (b)
Cartridge 310	242 / 9.5	282 / 11.1	69 / 2.7	228 / 9.0
Cartridge 400	242 / 9.5	322 / 12.7	69 / 2.7	267 / 10.5



Product	Article number	Packaging
DP1C 310-ca-120-201	178170 (61001 for US)	10 per Box (1 per Box for US)
DP1C 400-ca-130-201	178172	10 per Box

## MATCHING MIXPAC™ CARTRIDGES

### COMPATIBLE CARTRIDGES



**Plastic Cartridge**  
310 mL HPDE/PP/PA

	mm	inch
l	216.0	8.5
a	Ø 48.2	Ø 1.8



**Plastic Cartridge\*\***  
400 mL HPDE/PA

	mm	inch
l	256.0	10.1
a	Ø 49.0	Ø 1.9

\*\*400 mL version is not compatible with 310 mL cartridges  
Cardboard cartridges should not be used with the AirFlow 2 Cartridge.

## CONVERSION KITS

## MATCHING ACCESSORIES

Nozzles on pages 98–102.