

AIRFLOW™ 1 PPA 600A

750/900/1200 ML CARTRIDGE DISPENSER



Model shown: AirFlow 1 PPA 600A 750 mL

FEATURES

- Minimum trigger pressure
- U-opening steel frame
- Quick exhaust valve
- Customization possible

BENEFITS

- For effortless use and minimum fatigue
- Ease of cartridge insertion and removal
- Prevents run-on
- Customer labelling

APPLICATIONS



PRODUCT BY RANGE

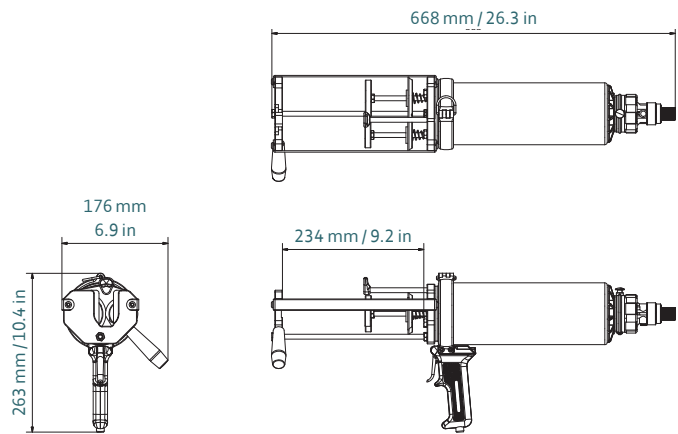


THE AIRFLOW 1 PPA 600A 2-COMPONENT PNEUMATIC DISPENSER DESIGNED FOR USE WITH MEDIUM TO HIGH VISCOSITY SEALANTS AND ADHESIVES. IT OFFERS FAST, ACCURATE AND EFFORTLESS APPLICATION, WHILE THE QUICK EXHAUST VALVE PREVENTS RUN ON.

SPECIFICATIONS

- Weight: 3.6 kg / 7.9 lbs
- Frame Length: 234 mm / 9.3 in
- Maximum Thrust: 5 kN
- Maximum Pneumatic Pressure: 6.8 bar / 100 psi
- Air Consumption: 40 litres/min
- Handle Material: Aluminum
- Frame Material: Steel
- Tool Component Approvals: CE, REACH
- Cartridge Capacity: 750 mL (26.4 oz), 900 mL (31.7 oz), 1200 mL (42.0 oz)
- Cartridge Ratio: 1:1, 2:1, 4:1
- Viscosity: Medium/High
- Standard Color: Black/Blue
- Customized versions on demand

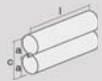
DIMENSIONS



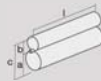
Part number	Article number	Packaging
DP2C1200-01-500-111	177886 / A600HP/1 (US)	1 per Box
DP2C1200-02-500-101	177883 / A600HP/2 (US)	1 per Box
DP2C1200-04-500-101	177884 / A600HP/4 (US)	1 per Box

MATCHING MIXPAC™ CARTRIDGES

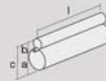
COMPATIBLE SIDE-BY-SIDE CARTRIDGES



Plastic Cartridge
1200 mL / 1:1 PP



Plastic Cartridge
900 mL / 2:1 PP/PA



Plastic Cartridge
750 mL / 4:1 PP/PA

1:1	mm	inch
l	217.0	8.54
a	Ø 68.0	Ø 2.68
c	136.0	5.35

2:1	mm	inch
l	215.0	8.86
a	Ø 69.0	Ø 2.72
b	Ø 50.0	Ø 1.97
c	119.0	4.69

4:1	mm	inch
l	217.0	8.54
a	Ø 68.0	Ø 2.68
b	Ø 34.0	Ø 1.34
c	102.0	4.0

CONVERSION KITS

MATCHING ACCESSORIES