

AIRFLOW™ 1 PPA 1500

825/900/1050/1500 ML CARTRIDGE DISPENSER



Model shown: AirFlow 1 PPA 1500 1500 mL

FEATURES

- Minimum trigger pressure
- U-opening steel frame
- Quick exhaust valve
- Customization possible

BENEFITS

- For effortless use and minimum fatigue
- Ease of cartridge insertion and removal
- Prevents run-on
- Customer labelling

APPLICATIONS



PRODUCT BY RANGE

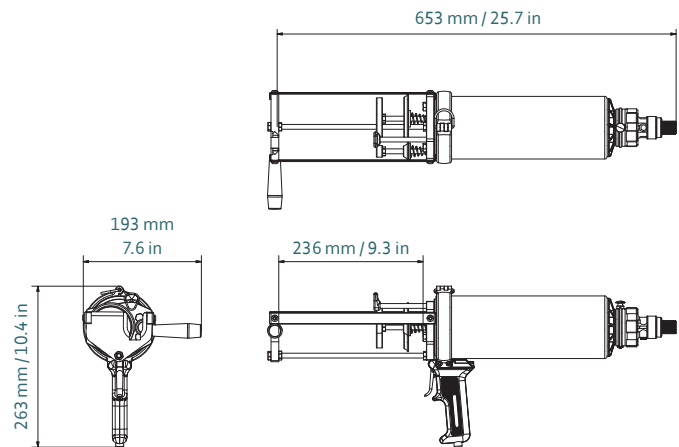


THE AIRFLOW 1 PPA 1500 2-COMPONENT PNEUMATIC DISPENSER OFFERS FAST, ACCURATE AND EFFORTLESS APPLICATION, WHILE THE QUICK EXHAUST VALVE PREVENTS RUN ON.

SPECIFICATIONS

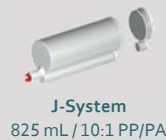
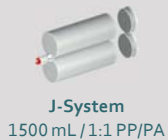
- Weight: 3.3 kg / 7.3 lbs
- Frame Length: 236 mm / 9.3 in
- Maximum Thrust: 5 kN
- Maximum Pneumatic Pressure: 6.8 bar / 100 psi
- Air Consumption: 40 litres/min
- Handle Material: Aluminum
- Frame Material: Steel
- Tool Component Approvals: CE, REACH
- Cartridge Capacity: 825 mL (29 oz), 900 mL (30.4 oz), 1050 mL (35.5 oz), 1500 mL (52.7 oz)
- Cartridge Ratio: 1:1, 2.5:1, 5:1, 10:1
- Viscosity: Medium/High
- Standard Color: Black/Blue
- Customized versions on demand

DIMENSIONS



Part number	Article number	Packaging
DP2C 1500-01-525-101	177895 / A750HP/1 (US) (1:1) (1500 mL)	1 per Box
DP2C 1050-52-500-101	177896 (2.5:1) (1050 mL)	1 per Box
DP2C 1500-05-500-101	177898 (5:1) (900 mL)	1 per Box
DP2C 1500-10-500-101	177893 / A750HP/10 (US) (10:1) (825 mL)	1 per Box

MATCHING MIXPAC™ SIDE-BY-SIDE CARTRIDGES



COMPATIBLE SIDE-BY-SIDE CARTRIDGES



10:1	mm	inch
l	216.0	8.5
a	Ø 80.7	Ø 3.18
b	Ø 28.6	Ø 1.13
c	109.0	4.29

5:1	mm	inch
l	216.0	8.5
a	Ø 79.0	Ø 3.11
b	Ø 38.0	Ø 1.50
c	118.0	4.65

2.5:1	mm	inch
l	216.0	8.5
a	Ø 79.0	Ø 3.11
b	Ø 51.0	Ø 2.01
c	130.0	5.12

1:1	mm	inch
l	215.0	8.46
a	Ø 79.0	Ø 3.11
c	160.0	6.3

CONVERSION KITS

MATCHING ACCESSORIES