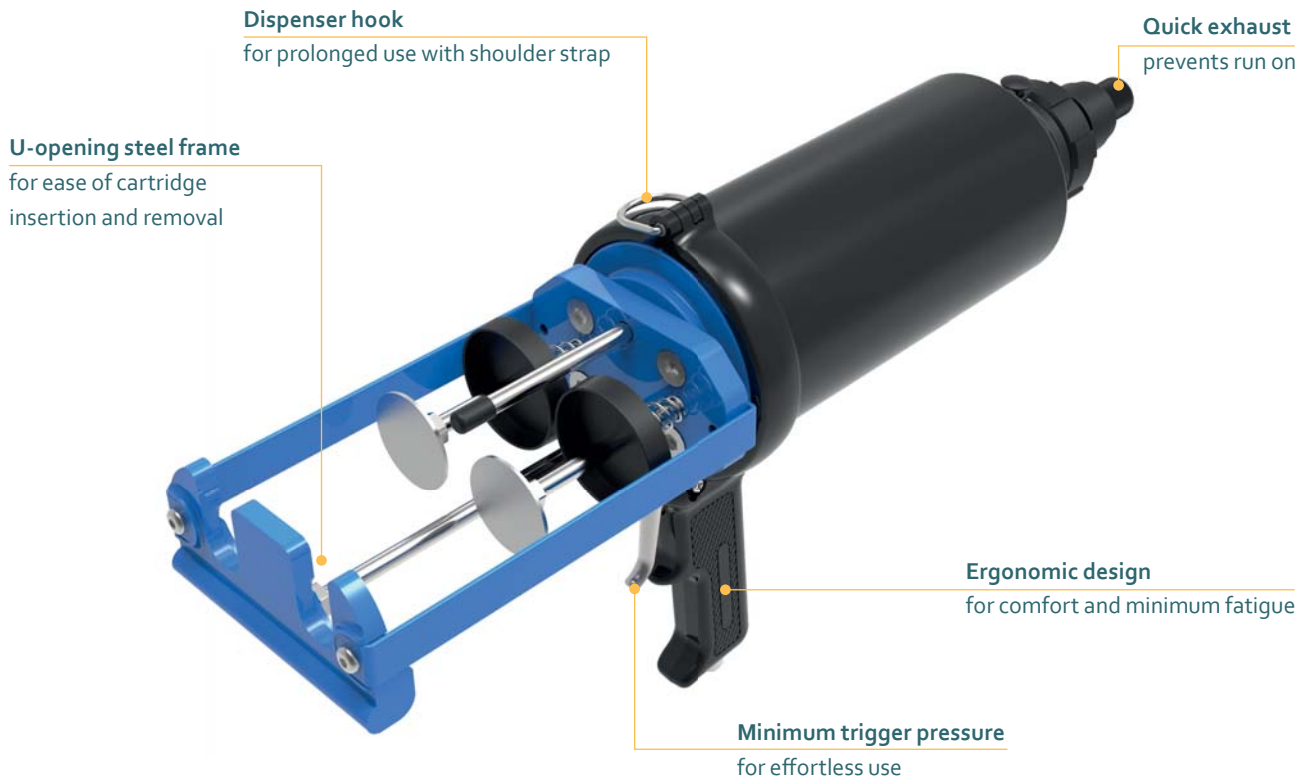


# AIRFLOW™ 1 CBA 200C

## 400 ML CARTRIDGE DISPENSER



Model shown: AirFlow 1 CBA 200C 400 mL

### FEATURES

- Air return as standard
- Minimum trigger pressure
- U-opening steel frame
- Quick exhaust valve
- Customization possible

### BENEFITS

- Fast, accurate and effortless application
- For effortless use and minimum fatigue
- Ease of cartridge insertion and removal
- Prevents run-on
- Customer labelling

### APPLICATIONS



### PRODUCT BY RANGE

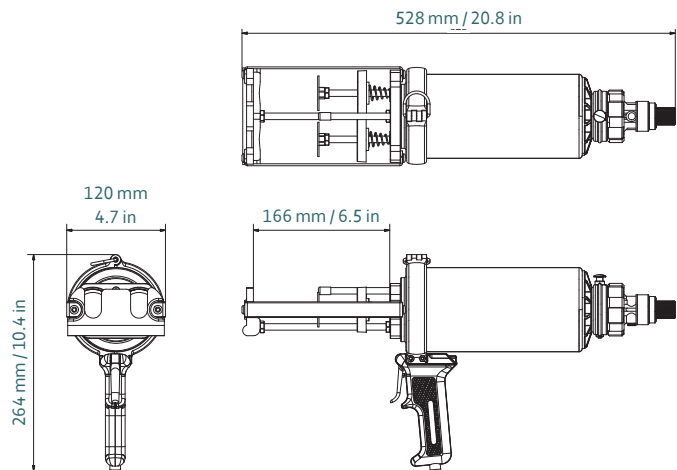


# THE AIRFLOW 1 CBA 200C 2-COMPONENT PNEUMATIC DISPENSER OFFERS AIR RETURN AS STANDARD FOR FAST, ACCURATE AND EFFORTLESS APPLICATION AND MINIMUM TRIGGER PRESSURE FOR EFFORTLESS USE.

## SPECIFICATIONS

- Weight: 2.8 kg / 6.2 lbs
- Frame Length: 166 mm / 6.5 in
- Maximum Thrust: 5 kN
- Maximum Pneumatic Pressure: 6.8 bar / 100 psi
- Air Consumption: 40 litres/min
- Handle Material: Aluminum
- Frame Material: Steel
- Tool Component Approvals: CE, REACH
- Cartridge Capacity: 400 mL (14.1 oz)
- Cartridge Ratio: 1:1
- Viscosity: Medium/High
- Standard Color: Black/Blue
- Customized versions on demand

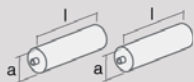
## DIMENSIONS



Part number	Article number	Packaging
DP2C 400-01-500-101	177785 / CBA 200C (US)	1 per Box

## MATCHING MIXPAC™ CARTRIDGES

### COMPATIBLE CARTRIDGES



Aluminum Cartridge  
400 mL (2×200) / 1:1 AL

1:1	mm	inch
l	145.5	5.7
a	Ø 49.0	Ø 2.0

## CONVERSION KITS

—

## MATCHING ACCESSORIES

Connecting manifold supplied for 2×200 mL cartridges on pages 145.